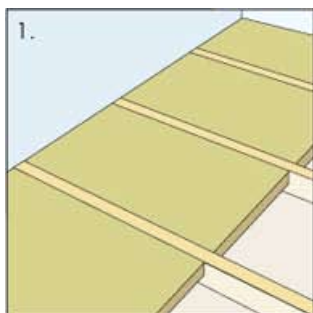
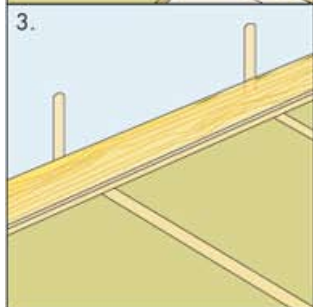


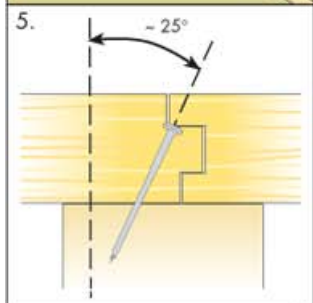
WISA General flooring - Installation instructions



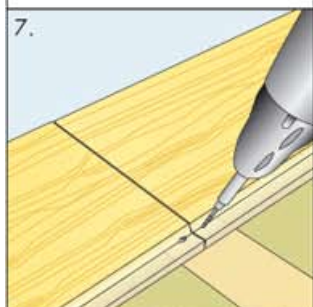
1. Make sure that the joists are level. The maximum joists span is
< 28mm panel thic. 400mm
> 28mm panel thic. 600mm



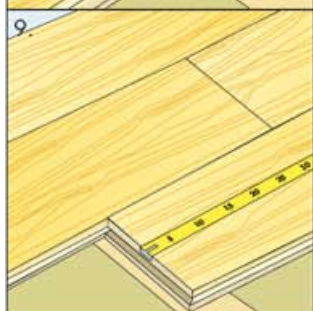
3. Using wooden wedges, leave an expansion gap of approximately 10 mm between the board and the wall.



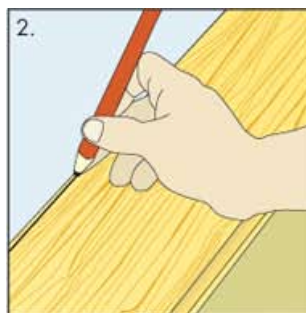
5. Screw the boards through the tongues at a 25 degree angle to the joists.



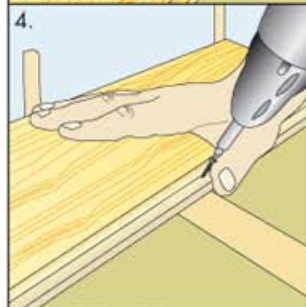
7. When attaching flooring near the end of a board, predrill a hole for the screw to prevent splits. The hole may be 1 mm smaller than the screw / nail



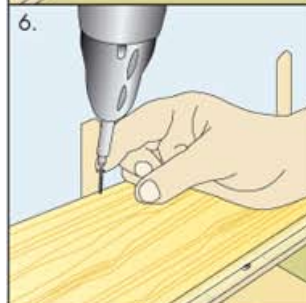
9. The end joints of adjacent rows of boards should be staggered at least 30 cm from each other.



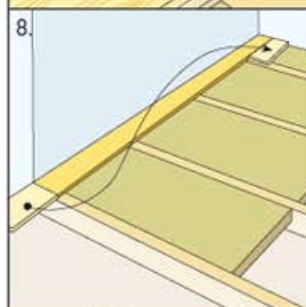
2. If the wall is uneven, draw the contour of the wall on the board and saw the board along the line.



4. Attach each board to the joists with screws or nails through the tongues.

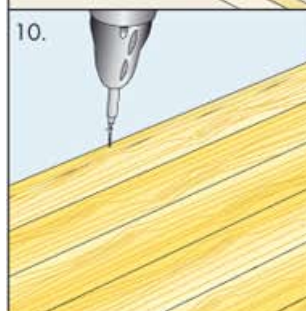


6. Screw or nail the first row of boards to the joist adjacent to the wall. The screw / nail will be hidden by the skirting



8. Start the next row with the piece left over from the previous one.

If you use flooring without end-grooving, ensure the boards meet directly over the floor joist.



10. Screw the final board row to the joist by the wall so that the screw is hidden by the skirting.

- The panels are ready for installation. It is recommended, however, to let the panels acclimatise in the original wrapping for a couple of days in the room where they will be installed.
- For installation you will need the following tools: a measure, a hammer / a drilling machine, a saw, nails / screws
- The recommended nail length is 2.5 times the thickness of the panel.
- Do not install a defective or damaged panel.
- These instructions are only guidelines. Check country-specific instructions from your local dealer.



P.O. Box 203
FI-15141 Lahti
Finland

Tel. +358 204 15 113

www.upm-kymmene.com
www.wisa.com