

WISA®-Lam flooring

WISA-Lam flooring is a durable modern flooring solution made of redwood. Thanks to its structure, WISA-Lam is straighter and more even than traditional wood flooring. The flooring panels are tongued and grooved on all 4 sides, which makes installation easier and ensures that no material is wasted.

WISA®-Lam flooring

The flooring is made of sound-knotted pine lamellae that are glued together. It is suitable for indoor use only (not recommended for use over radiant floor heating). Moisture content approx. 8%.

Dimensions

28 x 200 x 2,020 mm (useful dimensions).

Surface treatment

Natural or factory lacquered. The underside of lacquered flooring panels have been treated with protective lacquer to minimise cupping.

Packaging

The flooring panels are packed in a carton package. Each package contains 4 panels, i.e. 1.62 m² of ready-to-install flooring.

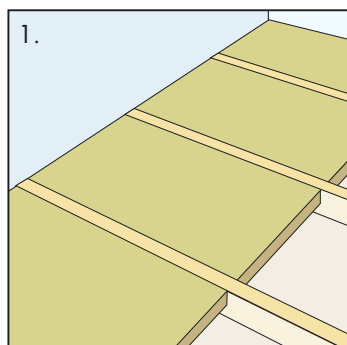
Installation and finishing

Installation instructions on the other side of this leaflet.

Finishing a natural flooring:

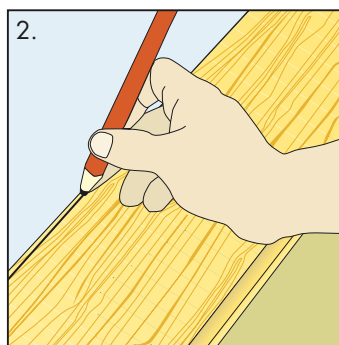
- If necessary, lightly sand the surface after installation.
- Treat the surface with the wood finish of your choice (wax, stain, lacquer).

WISA®-Lam flooring – Installation instructions



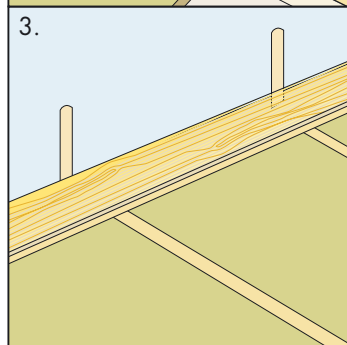
1.

1. Make sure that the joists are level. The maximum joist span is 600 mm.



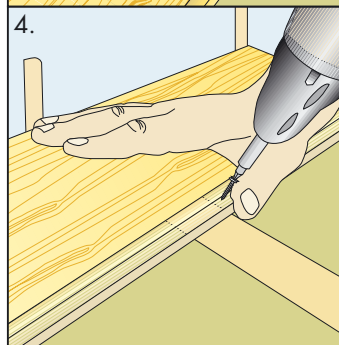
2.

2. If the wall is uneven, draw the contour of the wall on the board and saw the board along the line.



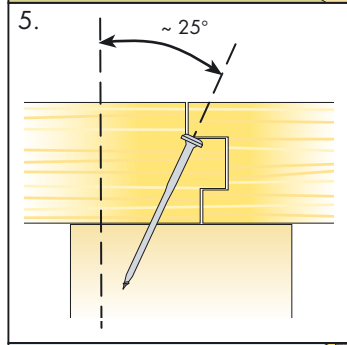
3.

3. Using wooden wedges, leave an expansion gap of approximately 10 mm between the board and the wall.



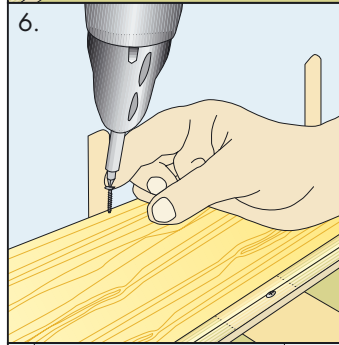
4.

4. Attach each board to the joists with screws through the tongues.



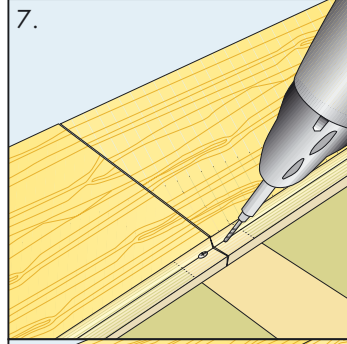
5.

5. Screw the boards through the tongues at a 25 degree angle to the joists.



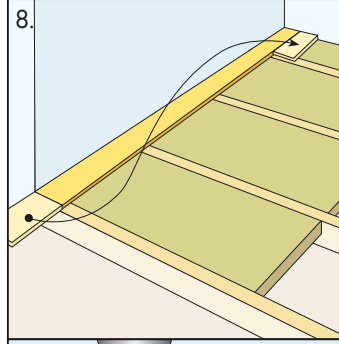
6.

6. Screw the first row of boards to the joist adjacent to the wall. The screw will be hidden by the skirting.



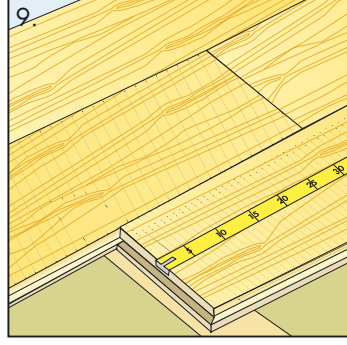
7.

7. When attaching flooring near the end of a board, predrill a hole for the screw to prevent splits. The hole may be 1 mm smaller than the screw.



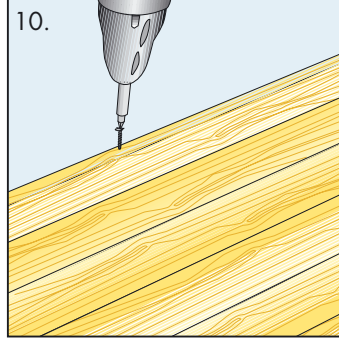
8.

8. Start the next row with the piece left over from the previous one.



9.

9. The end joints of adjacent rows of boards should be staggered at least 30 cm from each other.



10.

10. Screw the final board row to the joist by the wall so that the screw is hidden by the skirting.



P.O. Box 203
FI-15141 Lahti
Finland

Tel. +358 (0)204 15 113

www.upm-kymmene.com
www.wisa.com